


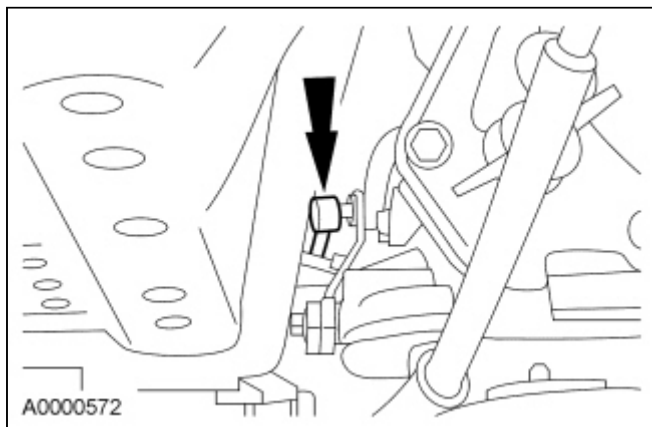
## Transmission Range (TR) Sensor Adjustment

### Special Tool(s)

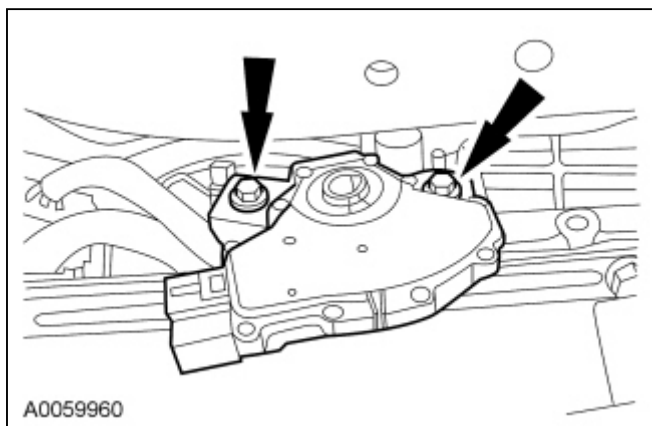
 ST1633-A	Alignment Gauge, TR Sensor 307-351 (T97L-70010-A)
---	--

### Adjust

1. With the vehicle in NEUTRAL, position it on a hoist. For additional information, refer to [Section 100-02](#).
2. Disconnect the selector lever cable from the manual control lever.



3. Loosen the Transmission Range (TR) sensor screws.

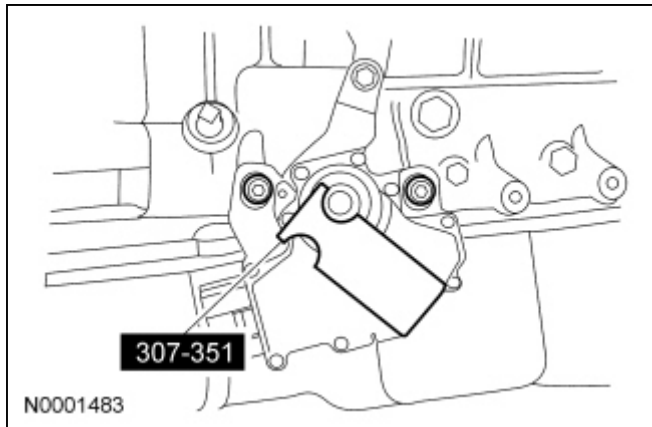


4. **NOTICE:** Tightening one screw before tightening the other may cause the sensor to bind or become damaged.

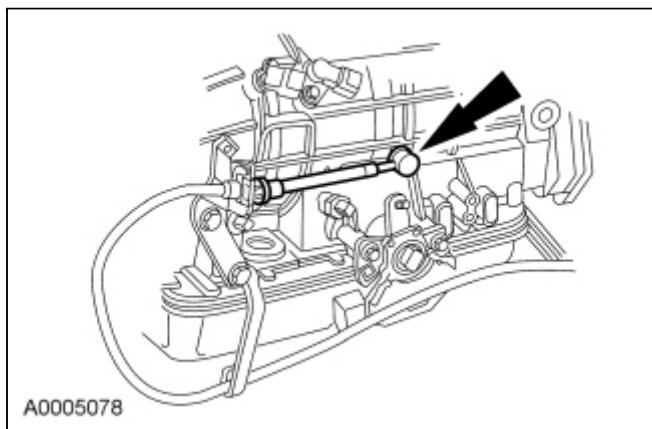
**NOTE:** The manual control lever must be in the NEUTRAL position.

Using the [TR](#) Sensor Alignment Gauge, align the [TR](#) sensor and tighten the screws in an alternating sequence.

- Tighten to 8 Nm (71 lb-in).



5. Install the selector lever cable to the manual control lever.



6. Verify that the selector lever cable is adjusted correctly. For additional information, refer to [Section 307-05](#).
-